



1. Installation

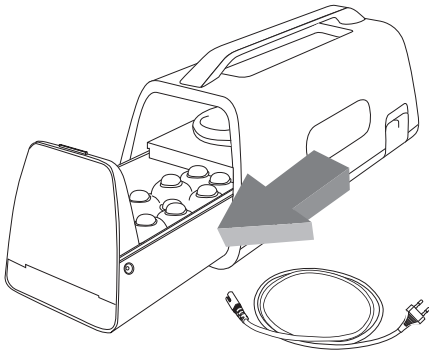


Caution

- Install the product on a flat surface.
- Avoid installation in humid or dusty areas.

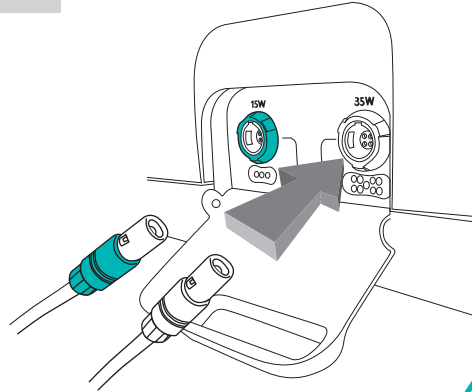
1

Open the storage box and remove the 9-sphere projector, 3-sphere projector, and the product cable.



2

Connect the external projectors to the allocated sockets on either sides of the product.



9-sphere and 3 sphere projectors must be plugged in before usage.

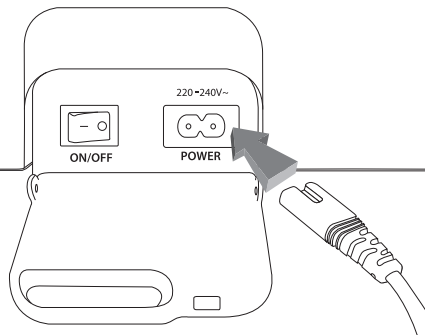


Warning

Do not touch the connector pin() as doing so may cause injuries or damage the product.

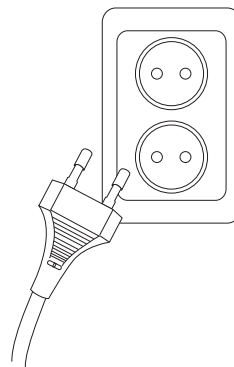
3

Connect the power plug to the right side of the product.



4

Plug the cord into an electrical outlet.



Caution

Plugging in the product while the power switch is ON may cause malfunction.